



ประสิทธิภาพขั้น ประโยชน์จากแสงอาทิตย์มา



CTK DIAMOND SOLAR

Tel 081-8241332



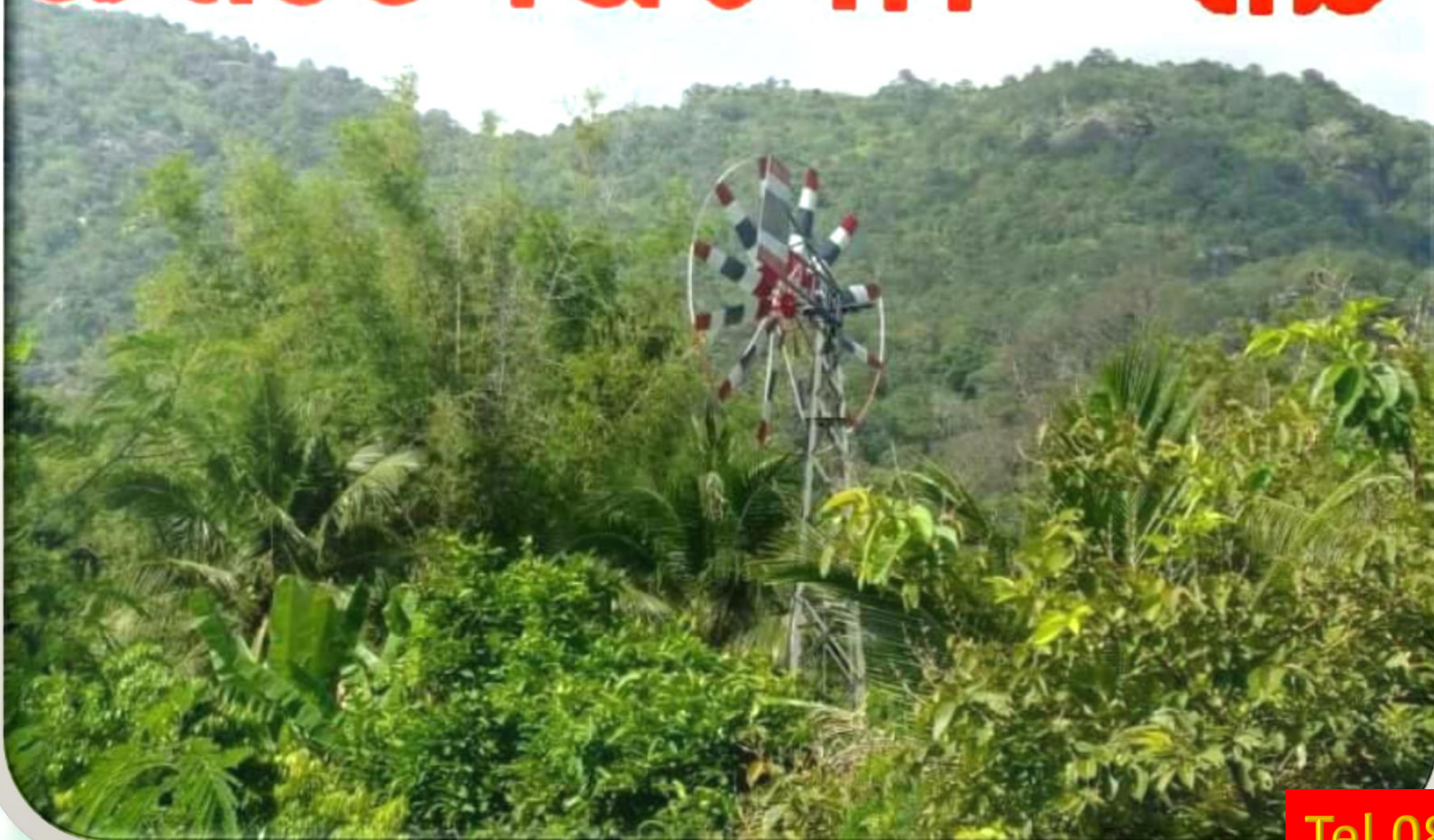
CTK DIAMOND SOLAR

Tel 081-8241332





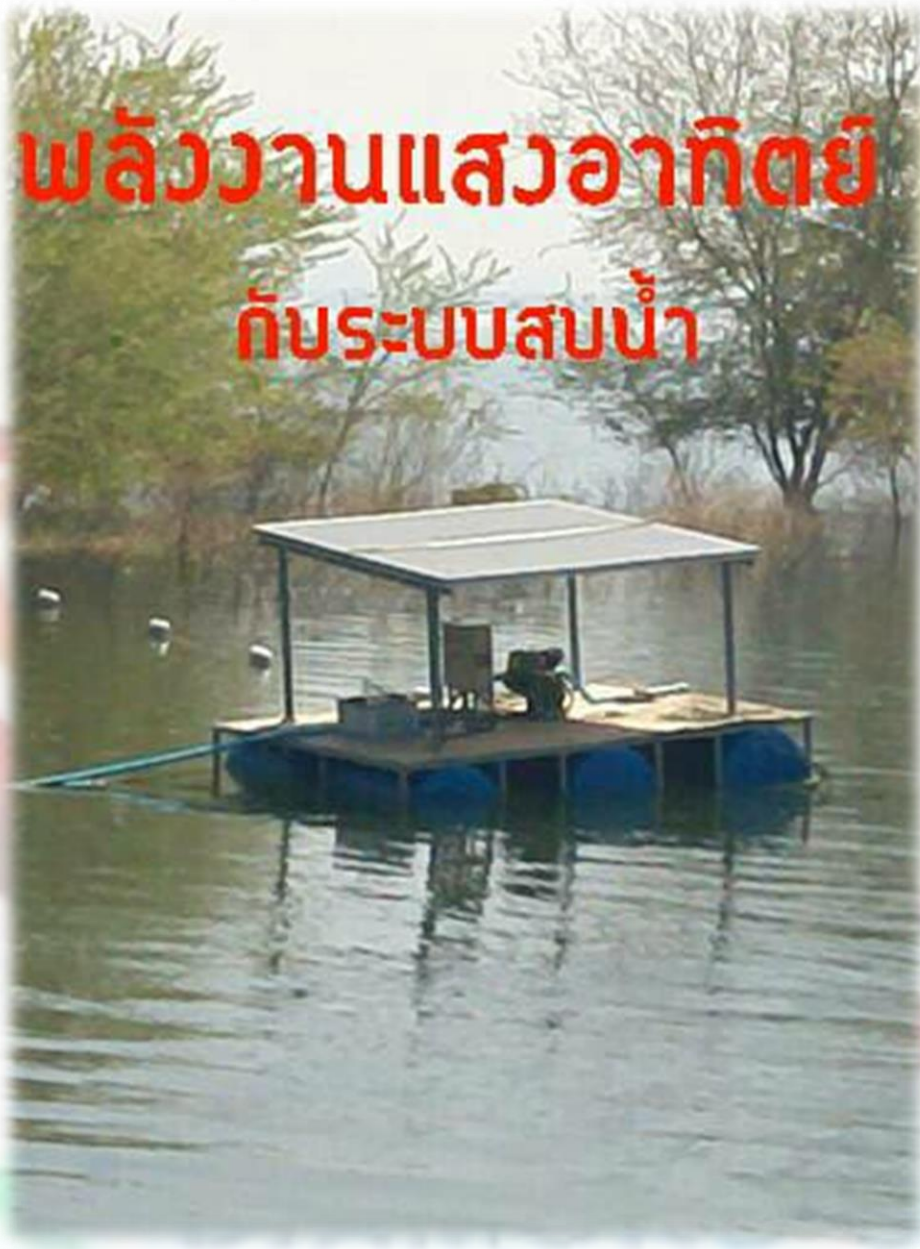
พลังงานจาก ลม



Tel 081-8241332



พลังงานแสงอาทิตย์ กับระบบสูบน้ำ



CTK

SOLAR

Tel 081-8241332



ประโยชน์ของพลังงานแสงอาทิตย์ กับระบบประปาหมู่บ้าน

CTK DIAMOND SOLAR

Tel 081-8241332



ให้แสงสว่างแก่อาชีพเกษตรกร กับระบบประปาหมู่บ้าน



ประโยชน์ของพลังงานไฟฟ้า

ให้แสงสว่างในยามค่ำคืน

CTK DIAMOND SOLAR

Tel 081-8241332



เมื่อความต้องการมีมาก
การแย่งชิงก็เกิดขึ้น



CTK DIAMOND SOLAR

Tel 081-8241332



แบตเตอรี่



CTK DIAMOND SOLAR SIAM

Tel 081-8241332



เป็นมิตรกับสิ่งแวดล้อม

CTK DIAMOND SOLAR

Tel 081-8241332

การรับซื้อพลังงานฯ
กับ กฟผ.



การไฟฟ้าส่วนภูมิภาค





CTK DIAMOND SOLAR

Tel 081-8241332



CTK DIAMOND ENERGY

Tel 081-8241332





CTK DIAMOND SOLAR

Tel 081-8241332



CTK DIAMOND SOLAR

Tel 081-8241332



MNE Solar Pumping Booster Inverter

Model	Power (kW)	Min. MPP voltage (V)	Max. DC open circuit voltage (V)	Max. DC input current (A)	Max. AC input current (A)	Rated output current (A)	Matched pump spec	Suggested PV spec	Suggested PV strings
MNE-SPC370V2B	0.37	80	400	13.8	2.7	2.60	3PH 220V 0.37kW 50/60HZ	250W Vmpp=30V Voc=36V	3pcs*1set
MNE-SPC550V2B	0.55	80	400	13.8	4	3.80	3PH 220V 0.55kW 50/60HZ		4pcs*1set
MNE-SPC750V2B	0.75	95	400	13.8	5	4.80	3PH 220V 0.75kW 50/60HZ		6pcs*1set
MNE-SPC1k1V2B	1.1	130	400	13.8	6.5	6.00	3PH 220V 1.1kW 50/60HZ		8pcs*1set
MNE-SPC1k5V2B	1.5	160	400	13.8	9.8	9.20	3PH 220V 1.5kW 50/60HZ		11pcs*1set
*For above five models: input voltage is 3PH 220V, rated input frequency is 50/60Hz, output voltage is 0-220V, and output frequency is 0-50/60Hz									
MNE-SPC370V3B	0.37	80	600	13.8	2	2.00	3PH 380V 0.37kW 50/60HZ	250W Vmpp=30V Voc=36V	3pcs*1set
MNE-SPC550V3B	0.55	80	600	13.8	2.5	2.50	3PH 380V 0.55kW 50/60HZ		4pcs*1set
MNE-SPC750V3B	0.75	95	600	13.8	3	3.20	3PH 380V 0.75kW 50/60HZ		6pcs*1set
MNE-SPC1k1V3B	1.1	130	600	13.8	4	4.00	3PH 380V 1.1kW 50/60HZ		8pcs*1set
MNE-SPC1k5V3B	1.5	160	600	13.8	5.4	5.00	3PH 380V 1.5kW 50/60HZ		11pcs*1set
MNE-SPC2k2V3B	2.2	200	600	13.8	7.6	7.20	3PH 380V 2.2kW 50/60HZ		15pcs*1set
MNE-SPC3kV3B	3	270	600	13.8	9.5	9.00	3PH 380V 3kW 50/60HZ		9pcs*2set
MNE-SPC3k7V3B	3.7	330	600	13.8	12	11.00	3PH 380V 3.7kW 50/60HZ		11pcs*2set

Tel 081-8241332



CTK DIAMOND SOLAR SIAM

eight models: input voltage is 3PH 380V, rated input frequency is 50/60HZ, output voltage is 0-380V, and output frequency is 0-50/60HZ

MNE-SPC370V4B	0.37	80	600	13.8	2	1.80	3PH 415V 0.37kW 50/60HZ	250W Vmpp-30V Voc-36V	3pcs*1set
MNE-SPC550V4B	0.55	80	600	13.8	2.5	2.30	3PH 415V 0.55kW 50/60HZ		4pcs*1set
MNE-SPC750V4B	0.75	95	600	13.8	3	3.00	3PH 415V 0.75kW 50/60HZ		6pcs*1set
MNE-SPC1k1V4B	1.1	130	600	13.8	4	3.60	3PH 415V 1.1kW 50/60HZ		8pcs*1set
MNE-SPC1k5V4B	1.5	160	600	13.8	5.4	4.50	3PH 415V 1.5kW 50/60HZ		11pcs*1set
MNE-SPC2k2V4B	2.2	200	600	13.8	7.6	6.60	3PH 415V 2.2kW 50/60HZ		15pcs*1set
MNE-SPC3kV4B	3	270	600	13.8	9.5	8.10	3PH 415V 3kW 50/60HZ		9pcs*1set
MNE-SPC3k7V4B	3.7	330	600	13.8	12	10.00	3PH 415V 3.7kW 50/60HZ		11pcs*1set

*For above eight models: input voltage is 3PH 415V, rated input frequency is 50/60HZ, output voltage is 0-415V, and output frequency is 0-50/60HZ

CTK DIAMOND SOLAR

Tel 081-8241332



MNE Solar Pumping Inverter

MNE solar pumping inverter is specially designed for watering system. A high converting efficiency of 98% and advanced MPPT technology make the solar energy fully used. It converts DC power into AC to drive all kinds of motors. The intelligent design protects the pumps from many abnormal cases, such as over-loading, over-voltage, dry-running, over-heating, low frequency and etc.



Modified AC power supply terminal
Suitable for single-phase 220V,
3-phase 380V and three phase 220V systems.
Applicable to all kinds of AC motors from 370W ~110KW.



DC terminal
Wide input voltage range to
optimize PV modules
configurations.



LCD +LED display
User-Friendly.
System status display.
-Real-time voltage and
frequency indication.
-Error type instruction to
facilitate troubleshooting



Digital control system
DSP & IGBT module
inside.
Auto-operation.
Full protection.



Terminal for water level switches
Water level detection both in well and tank.
Protection from over-pumped and motor
burnout.
Automatic start once water level recovered.



Terminal for SMS module
Remote monitor of real-time working status.
Facilitate two-way communication between user and system.



**AC terminal for hybrid
power**
Convenient transfer to grid
power and generators to
enable system to work
continuously in weak
sunshine.



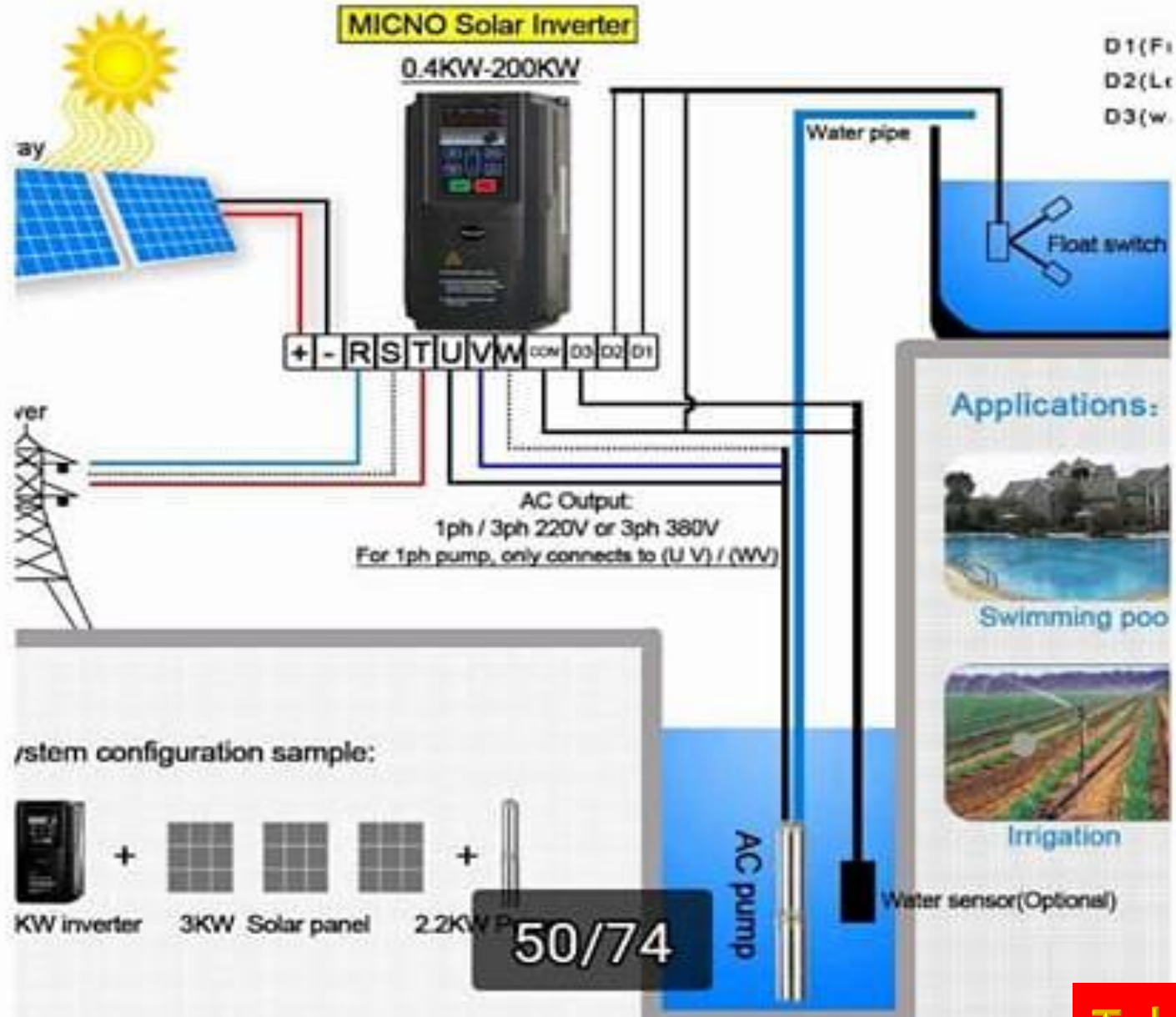
Aluminum casing and cooling fan
Heat dissipation design. Lightweight casing.
Long life span. Models above 37KW will use metal plate.

Tel 081-8241332



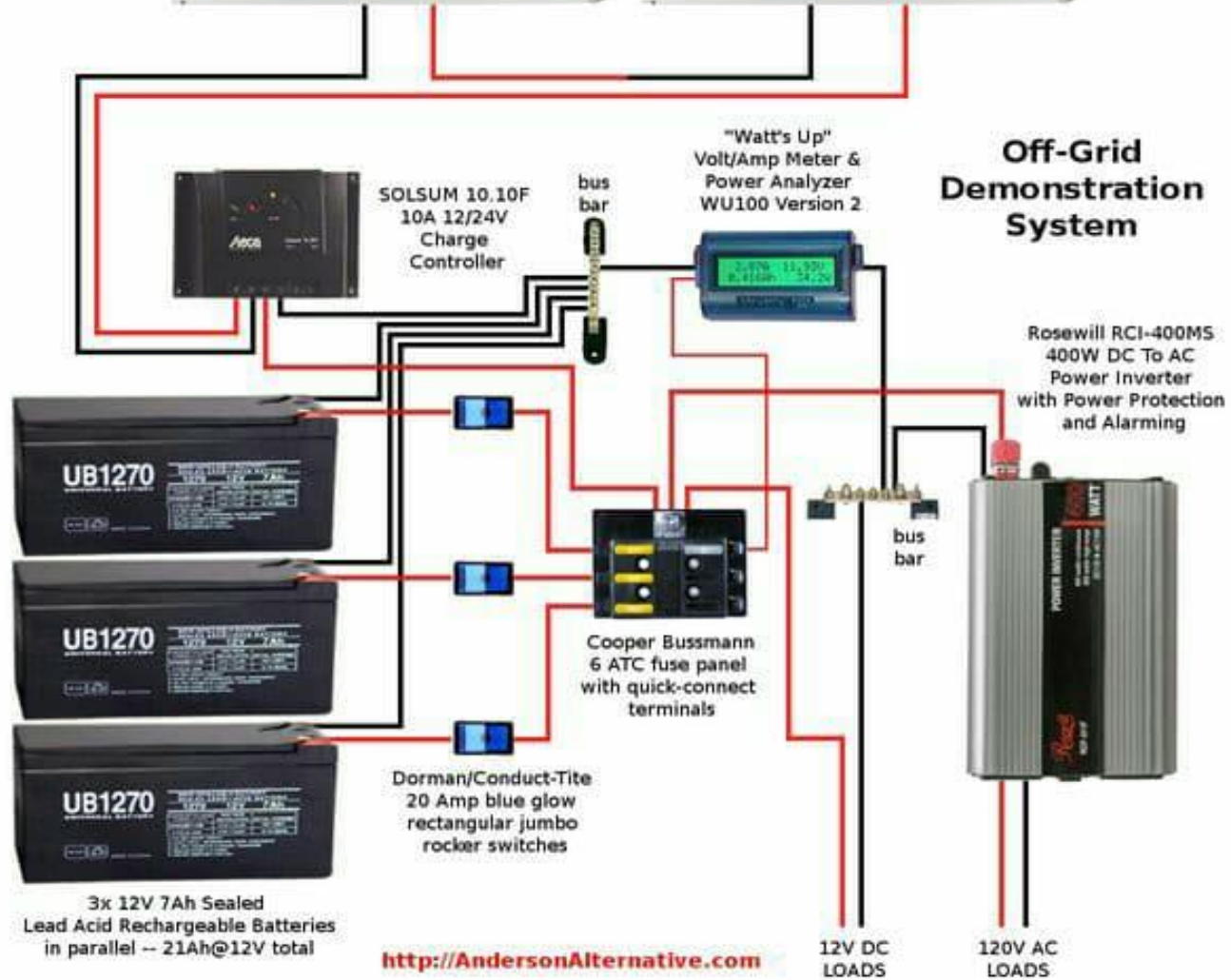
SOLAR

Tel 081-8241332





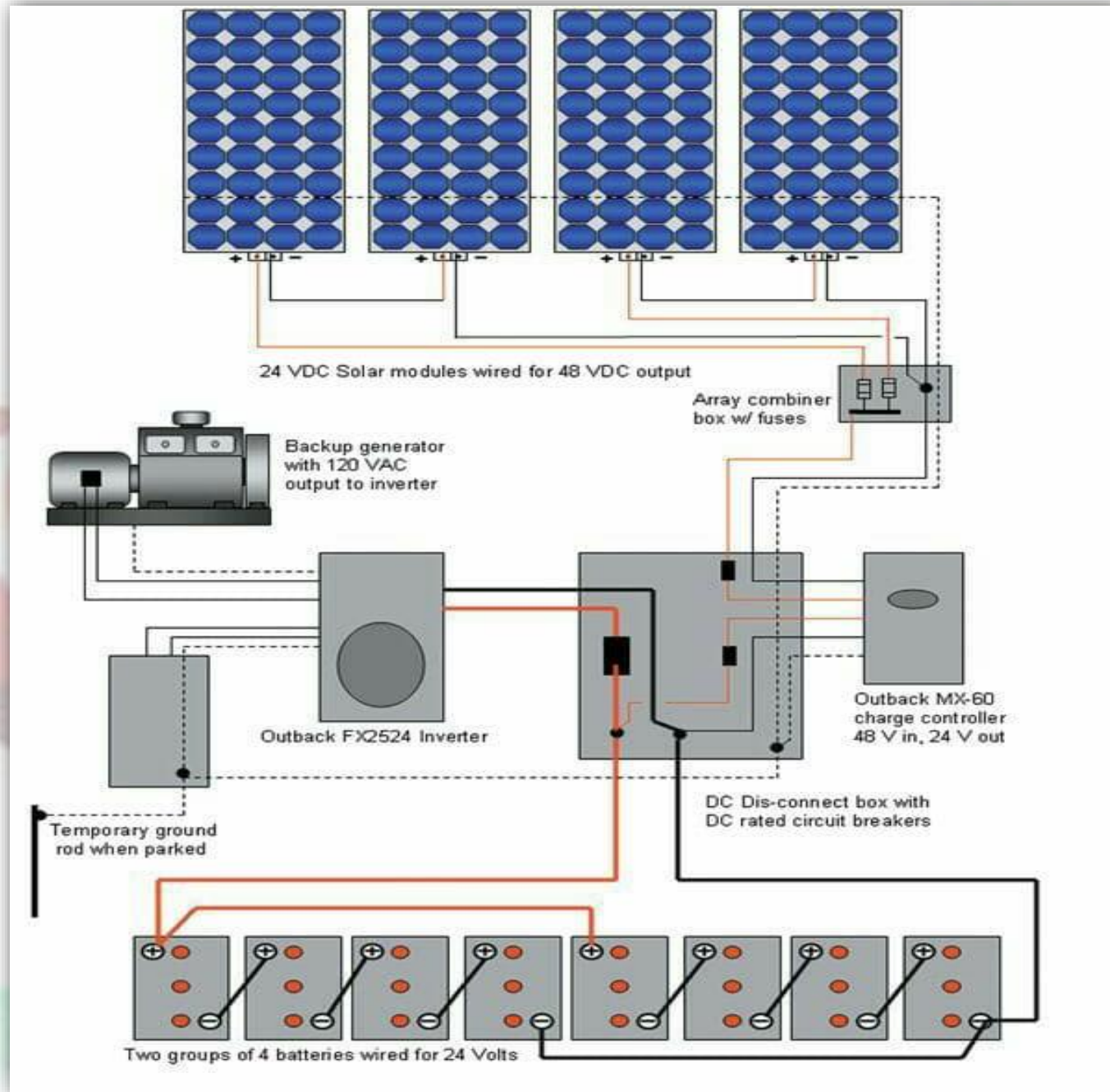
2x Photon
PM008
8W 12V
Solar Panels
in series
--
0.67A@24V
16W total



3x 12V 7Ah Sealed
Lead Acid Rechargeable Batteries
in parallel -- 21Ah@12V total

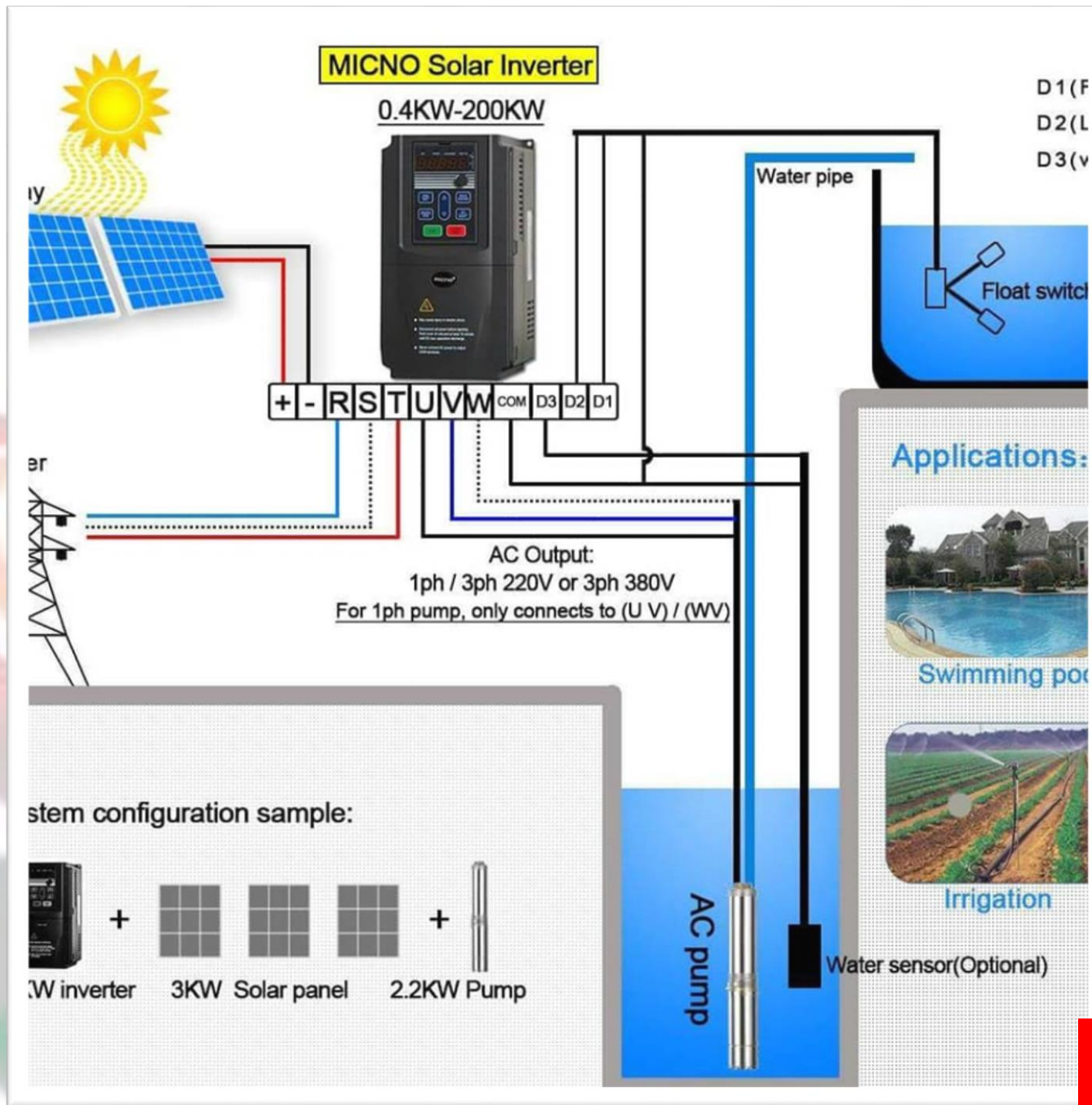
<http://AndersonAlternative.com>

Tel 081-8241332





CTK DIAMOND SOLAR SIAM



Tel 081-8241332



CTK DIAMOND SOLAR

Tel 081-8241332



Tel 081-8241332



CTK DIAMOND SOLAR

Tel 081-8241332







CTK DIAMOND SOLAR

Tel 081-8241332







CTK DIAMOND SOLAR SIAM



CTK DIAMOND SOLAR SIAM

Tel 081-8241332





Tel 081-8241332